
Airbrake Panel Bolt Torque Check

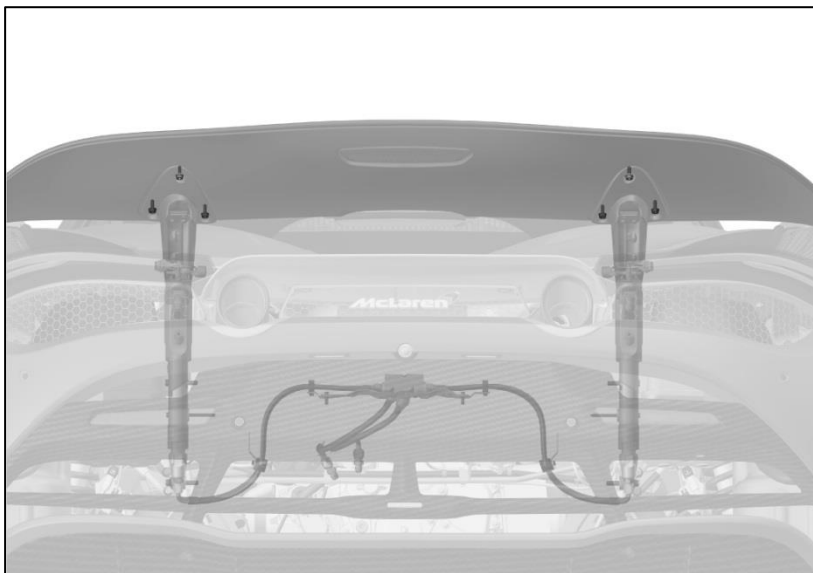
Bulletin type: Service Campaign
Reference number: 14 A 003
Campaign reference: 04K
Attention: Retailer Service Managers and Retailer Technicians
Affected vehicles: 720S
Situation: Incorrect torque of the airbrake panel mounting bolts
Procedure: Please refer to the instructions outlined in this document to complete the checks / rework
Date: 28th November 2017

This bulletin will cover:

-
1. Overview
 2. Procedure
 3. Affected Vehicles
-

1. Overview

McLaren Automotive has identified a number of 720S vehicles released from production with potentially incorrect torque of the airbrake panel mounting bolts.



Airbrake Panel Bolt Location

2. Procedure

Step 1

Turn the ignition on

Step 2

Press the ACTIVE button to switch on the active dynamics panel

Step 3

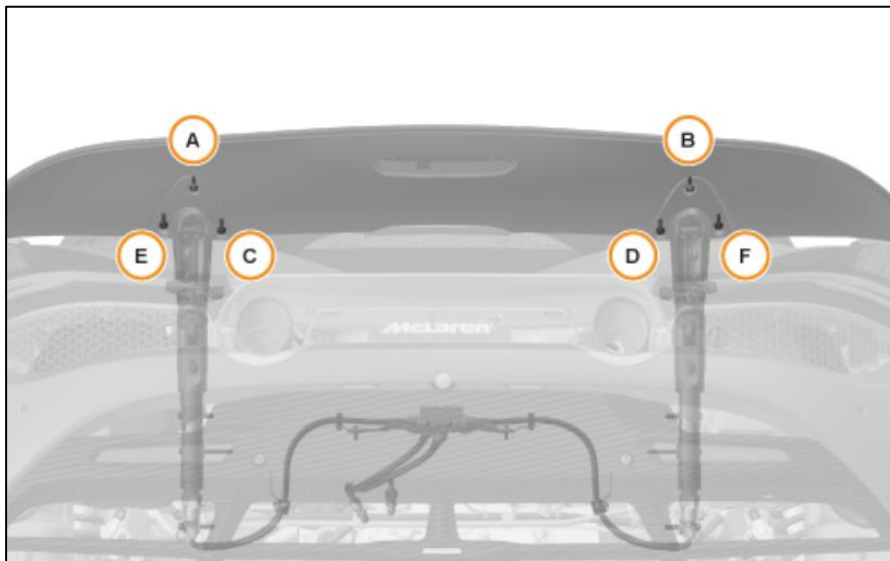
Press the AERO button to raise the airbrake panel

Step 4

Set up the torque wrench to the testing torque of 12.6 Nm

Step 5

Follow the sequence shown below (A - F) to check the torque of the airbrake panel mounting bolts (M6 x 18) by turning them in a tightening clockwise motion until the characteristic click is heard from the torque wrench



Torque Testing Sequence

Step 6

If a bolt turns before the characteristic click is heard from the torque wrench, remove the bolt and inspect the rivnut thread

Step 7

If the rivnut thread appears in good condition, replace the bolt and torque to the specified fastening torque (14 Nm)

Step 8

If the new bolt does not achieve the specified fastening torque (14 Nm) or the rivnut thread is damaged/stripped when inspected, please contact McLaren Technical Support

3. Affected Vehicles

Please contact your Regional Aftersales Manager for a list of affected vehicles.

If you have any questions, please speak to your Regional Aftersales Manager.

Best regards,

The information contained in McLaren bulletins are for internal use only by McLaren Authorised Retailers and must not be published on external website or social media forums etc.

All bulletins (Information/Campaign/Recall) issued by McLaren Automotive Limited ("McLaren") are intended only for use by technicians who have attended McLaren technical training courses. McLaren trained technicians have the equipment, tools, safety instructions and the know how to perform the job properly and safely. McLaren Bulletins are written to inform McLaren technicians of conditions that may occur on some McLaren vehicles, or to provide information that could assist diagnosing a McLaren vehicle. Part numbers listed in McLaren bulletins are for reference only. Always check with the parts department to verify the latest part numbers.

Warranty Information

Description	Resolution Code	Repair Time
Check the torque of the Airbrake Panel Mounting Bolts	CPCPC407A11C2J02	0.15 Hours

Parts Information

Description	Part Number	Quantity	Order Process
Airbrake Bolts	14A3790CP-14AM002 - Silver 14A3790CP-14AM003 - Stealth	6	Unipart