

This document is uncontrolled when printed. Before use, check the Knowledge Base within the McLaren Retailer Portal to verify that this is the current version.

Document Information

Location: Body BIW - Active Aero

Topic: During removal of the airbrake panel, do not operate / raise the panel manually (e.g. using your hands) as this may cause later issues inside the airbrake circuit.

Condition: Permanent

Diagnostic Trouble Codes:

TCU:

Various DTCs related to the Airbrake system (Twist, Move Out, Sensor Position)

Measure

It is possible that if you manually operate / lift the airbrake panel to gain access to the fixings or for any other reason, you could introduce air into the airbrake circuit.

This may induce faults in the TCU module and as a result Airbrake Warning Message in the Driver's display.

Care Point: In the event the airbrake panel has been moved / lifted manually, connect the MDS and go to TCU Sequences. Run the Bleed Sequence for 3 times in a row, to eliminate any trapped air held within the system.

The correct way to access the fixings of the airbrake panel (if removal required) is to raise the airbrake using the Aero button as described below:

1. Start the engine
2. Press the ACTIVE button to switch on the Activate Dynamics Panel
3. Press the AERO button and the airbrake will move to deployed position (2)





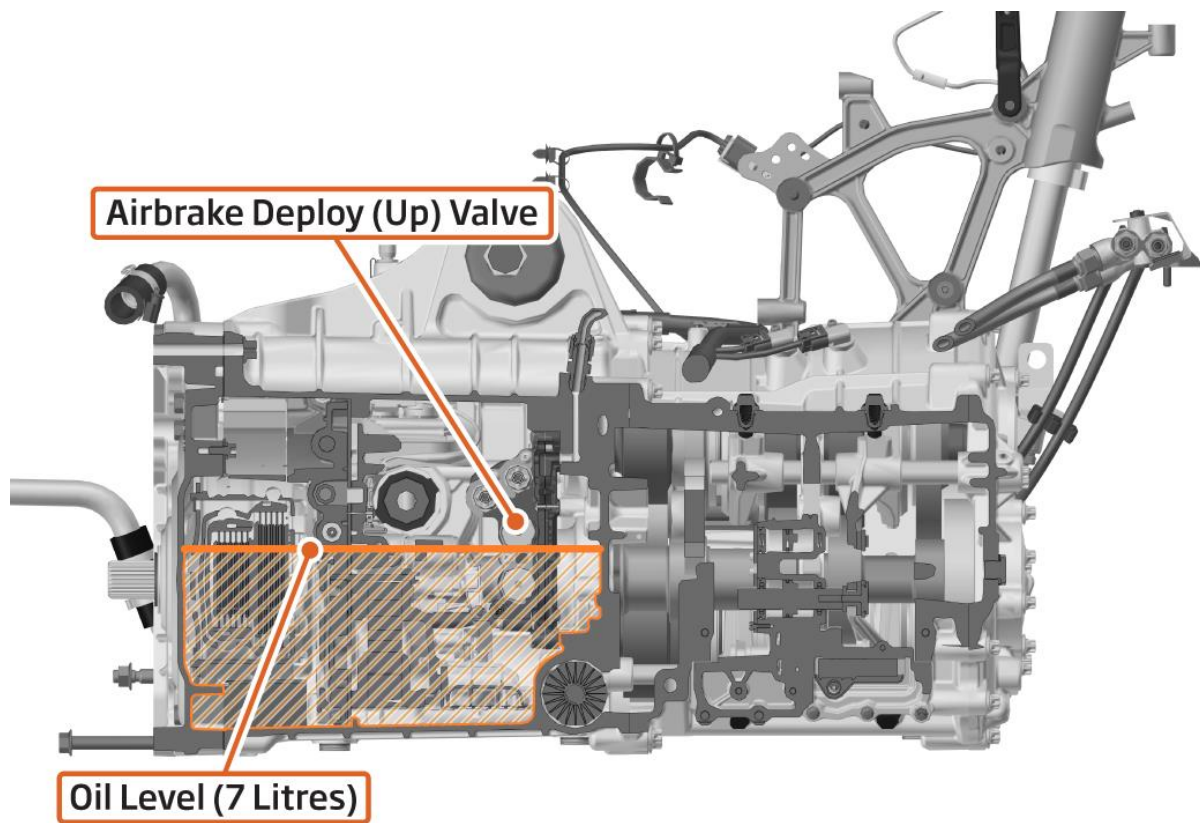


Below you will find a brief description that explains how air may enter the airbrake circuit if the airbrake panel is manually moved.

The level of the clutch fluid when is not being pumped around the transmission can sit lower than the Airbrake Deploy valve within the transmission.

Therefore, when pulling the airbrake upwards you pull through clutch fluid and air.

When the engine is running so is the oil pump in the transmission, which will distribute the oil covering the deploy valve stopping the risk of introducing air.



Parts Information

N/A

Attachments

N/A

KA Update Information

29/04/2021

This document is uncontrolled when printed. Before use, check the Knowledge Base within the McLaren Retailer Portal to verify that this is the current version.