

## Document Information

**Location:** Electronics – ADI – 12 Speaker - High Power Amplifier

**Topic:** Channel Assignment for B&W High Power Amplifier

**Condition:** Permanent - Information

## Diagnostic Trouble Codes

N/A

## Measure

McLaren 720S vehicles fitted with Bowers & Wilkins equipped HiFi are utilising a high power multi-channel amplifier, mounted within electric city.

Sound is output from the amplifier via 12 speakers, mounted as follows:

- Front Doors = 1 X Dual Voice Coil Woofer
- Front A Pillar = 1 X Mid Range, 1 X Tweeter
- Facia = 1 X Centre Channel Mid, 1 X Centre Channel Tweeter
- Rear ¼ Panels = 1 X Rear Surround, 1 X Tweeter

MDS – ADI - Sequence “Speaker Test” will play a single tone through each amplifier output channel and give a table of results.

Note even though the system is using 12 Speakers, the door mounted woofers are with Dual Voice Coils, so each speaker is actually connected to 2 amplifier channel outputs.

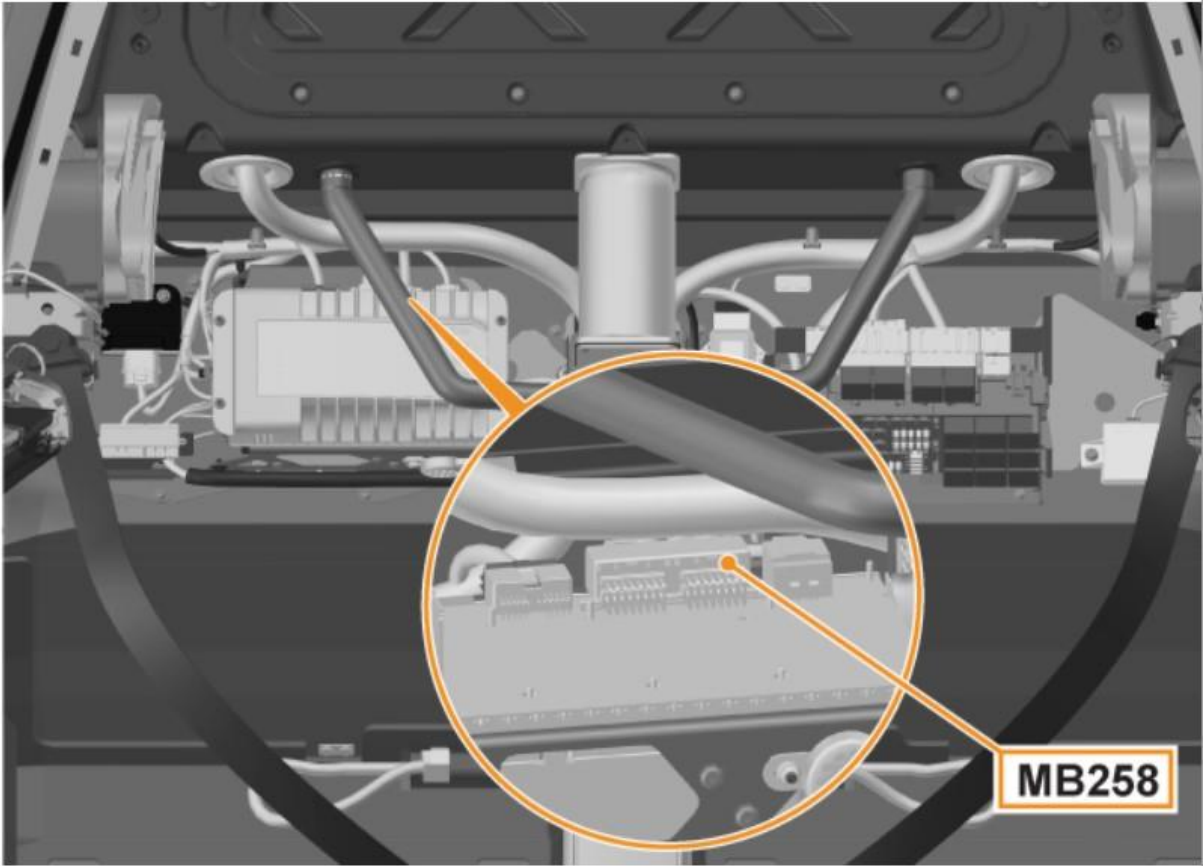
Amplifier output channels 1 to 16 are utilised, with exception of output channel 4. Therefore, all test results will fail on channel 4.

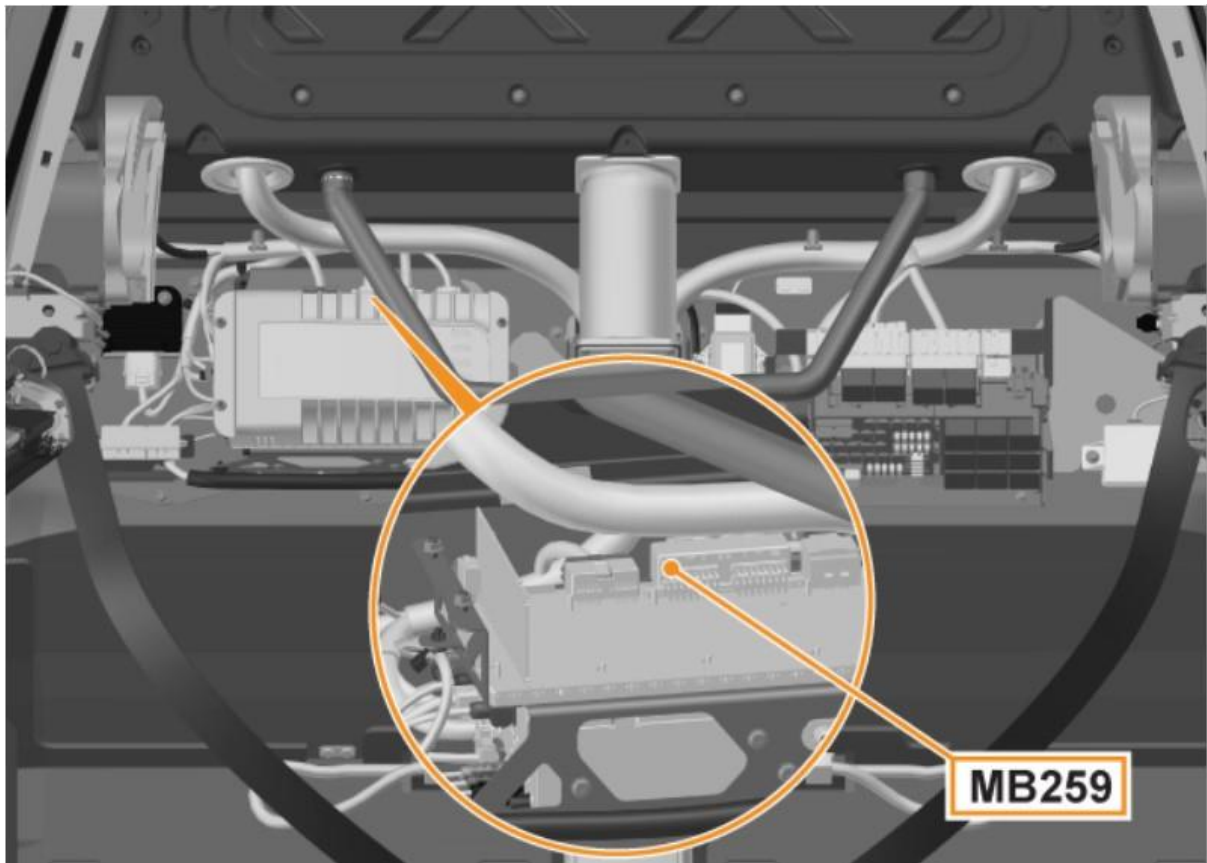
- Left channels & centre mid are output on connector MB258
- Right channels & centre high are output on connector MB259

- When measuring resistance/impedance of the woofers and midrange speakers expect a value of approximately 4.5 Ohms.

It is not possible to measure the resistance/impedance of the high frequency speakers due to the installation of capacitor fitted inline located at the speaker, it is possible to check for speaker wiring short to ground at the amplifier connectors.

<b>Output</b>	<b>Amp Channel</b>	<b>Description</b>	<b>Amp Connection Pin</b>	<b>Amp Plug/Colour</b>
Front Left Door Woofer	1	Coil 1 -	1	MB258 Grey
		Coil 1 +	9	MB258 Grey
	7	Coil 2 -	7	MB258 Grey
		Coil 2 +	15	MB258 Grey
Front Left Mid	3	-	3	MB258 Grey
		+	11	MB258 Grey
Front Left High	2	-	2	MB258 Grey
		+	10	MB258 Grey
Front Right Door Woofer	16	Coil 1 -	8	MB259 Blue
		Coil 1 +	16	MB259 Blue
	10	Coil 2 -	2	MB259 Blue
		Coil 2 +	10	MB259 Blue
Front Right Mid	14	-	6	MB259 Blue
		+	14	MB259 Blue
Front Right High	15	-	7	MB259 Blue
		+	15	MB259 Blue
Centre Mid	8	-	8	MB258 Grey
		+	16	MB258 Grey
Centre High	9	-	1	MB259 Blue
		+	9	MB259 Blue
Rear Left Surround	6	-	6	MB258 Grey
		+	14	MB258 Grey
Rear Left High	5	-	5	MB258 Grey
		+	13	MB258 Grey
Rear Right Surround	11	-	3	MB259 Blue
		+	11	MB259 Blue
Rear Right High	12	-	4	MB259 Blue
		+	12	MB259 Blue





## Parts Information

N/A

## Warranty Information

Resolution Category

Casual Part Number: N/A

Casual Part Name: N/A

Casual Issue: N/A

Rectification: N/A

Time: N/A

## Attachments

N/A

## KA Updates Information

N/A

This document is uncontrolled when printed. Before use, check the Knowledge Base within the McLaren Retailer Portal to verify that this is the current version.